

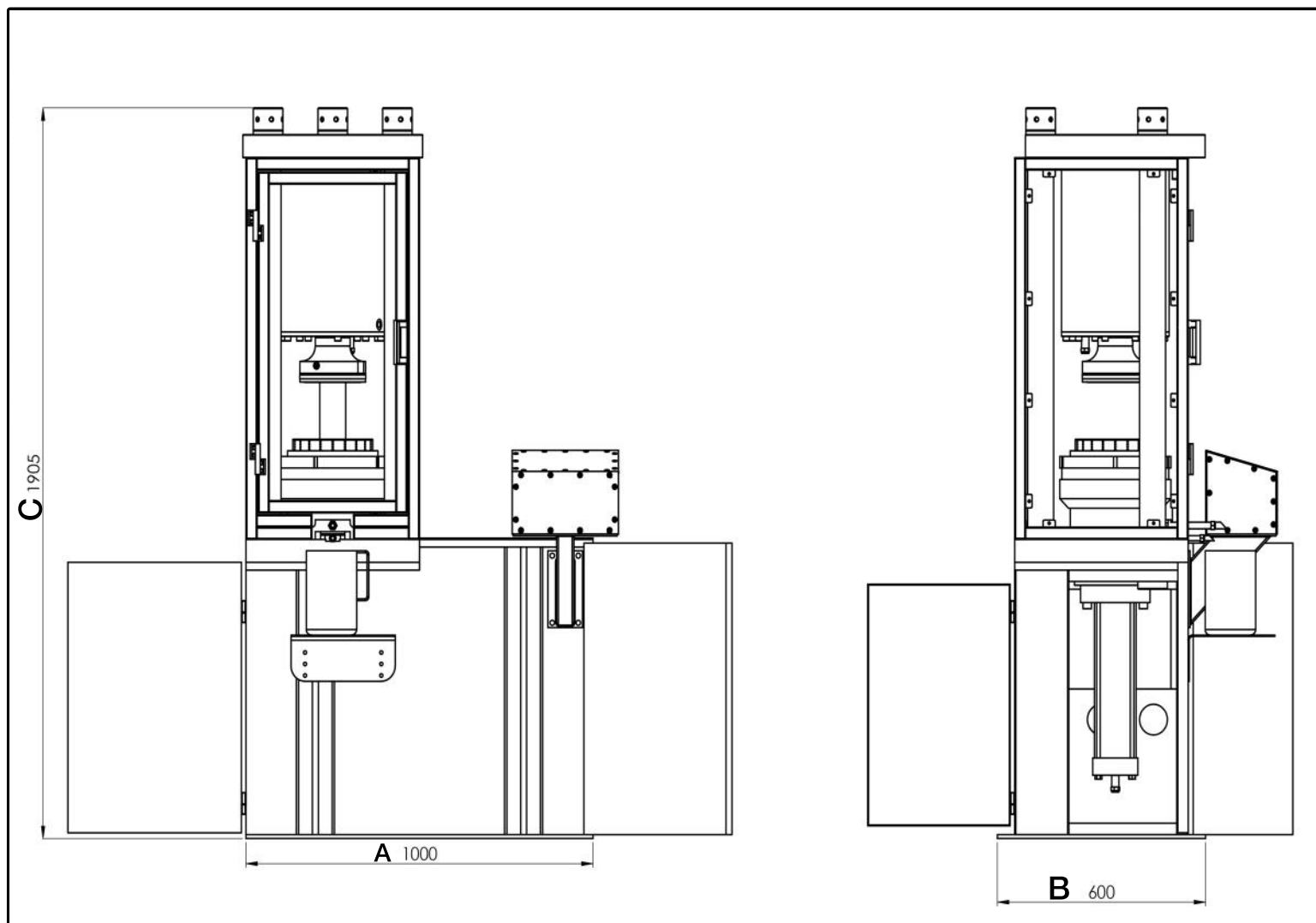
VITALI & CAUCIA



PRESS V&C ECO/5



Pressa idraulica per la spremitura cacao e semi oleosi
Hydraulic press for squeezing cocoa and oil seeds



TECHNICAL CHARACTERISTICS

<i>Number of pressing chambers:</i>	<i>N°1</i>
<i>Load capacity :</i>	<i>Lt.5</i>
<i>Net weight of press :</i>	<i>900 Kg</i>
<i>Dimensions press:</i>	<i>A.1000 x B.600x C.1905.mm</i>
<i>Air pressure :</i>	<i>7 bar</i>
<i>Installed power :</i>	<i>kW 2,5</i>